



Panels above transoms.

Usage:
Where specified or legislated to provide 2HR protection of openings in stairways, plant rooms, substations etc.

UDM doorsets have excellent sound reduction properties.

Maximum Available Sizes (mm)

Single Leaf: 3000 x 1500 x 48

Single Leaf: 2340 x 1020 x 38

Double Leaf: 3000 x 3000 x 48

- Available with panel over transom to 3600mm overall.
- Available with panel over (no transom) in single leaf to 3600mm overall.

Tested and approved for use in:

- Masonry walls
- Gypsum block walls
- Timber stud walls
- Steel stud walls
- Hardie 'Styrocon' panel walls

Your choice of facings:

- Plywood for paint
- Selected veneer faced plywood
- Fire retardant grade laminate
- Sheet steel faces and edges
- Sheet aluminium
- 'Acrovyn' PVC facings

Edge details:

- 10mm timber concealed or exposed
- 1mm veneer for decorative doors
- Steel channels or flats
- Aluminium anodised (available with smoke seals)
- Laminate (Formica) to stiles

Hardware options:

To our knowledge, every lockset, surface mounted door closer and concealed closer designed for use with fire doorsets have been tested as compatible with Pyropanel® doorsets.

Special hardware, such as:

- Panic bars
- Card-key hotel locks
- Electrically operated strikers
- Magnetic security locks
- Smoke seals for 'hot' and 'cold' smoke
- Kick plates of steel, 'Acrovyn' vinyl etc.
- Vent grilles with automatic drop shutters
- Security bolts
- Sound and dust seals
- Vision panels with clear or wire cast glass
- Aluminium faced shelf to form stable door

Frame profiles:

- 1.2mm or 1.5mm thickness Zincaneal steel
- Composite (timber veneered) door frames to detail

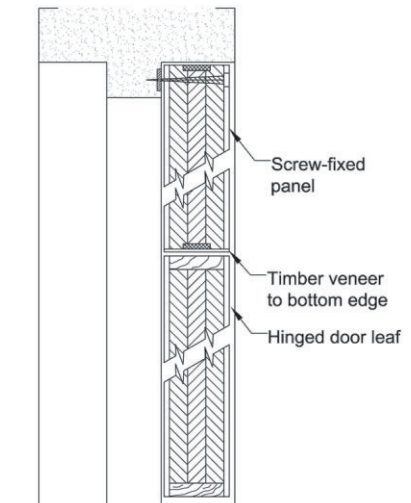
Weight (plywood faced):

48mm – 22kg/m²

38mm – 19kg/m²



Panel over without transom.



Typical Section