

# ACOUSTIC DOOR

## AP-41-PYROL

### TECH SHEET — AP-41-PYROL

Issue: 13-05-05

**Non fire rated 41 Rw acoustic / smoke door PAIR**

### DESCRIPTION

Pyropanel AP-41-PAN-E is a 41 Rw, non fire rated 56mm leaf acoustic door PAIR that utilises 3708A 'Zero' and B119W perimeter seals, 367A 'Zero' and Pyropanel 'Pyrosill' sill seals, and a Pyropanel Rubber rebated meeting stile seal. This door has steel faces.

### APPLICATIONS

Ideal for applications that do not require fire rating but require smoke resistance and acoustic rating of 41 Rw in a pair configuration. This is a lightweight steel faced door that has excellent sound reduction characteristics.

### FEATURES

#### Acoustic Rating

- 41 Rw (41 STC)

#### Test Certificate number

- TL373(p)

#### Fire Resistance

- Nil

#### Door Configuration

- Single acting pair configuration hung in a steel or timber frame.

#### Perimeter Seal

- 3798A "Zero" seal, and
- B119W seal

#### Bottom Seal

- 367A "Zero" seal, and
- Pyropanel 'Pyrosill'

#### Meeting Stile

- Pyropanel rubber rebated meeting stile

#### Thickness

- 56mm (Nominal)

#### Size

- Maximum Size (overall) - 2400 high x 1200 wide

#### Frame

- Pyropanel KDHW timber or packed pressed metal frame

#### Finish

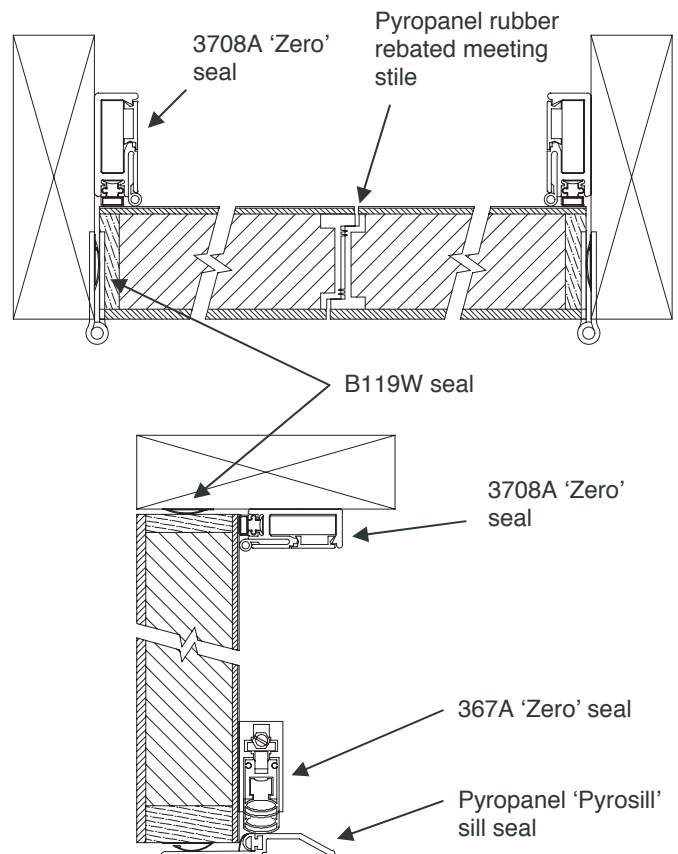
- Steel faces to both sides as standard

### OPTIONAL EXTRAS

- Pre-hung in steel or timber frame
- Ply, Veneer, MDF or Laminate facings over existing faces
- Stainless steel facings
- Vision panels - 300 x 200 or 250 x 250mm.
- Kick Panels of 1.2mm Stainless Steel to selected height
- Meets the BCA requirement for a smoke door

### INSTALLATION

Door frame must be tightly sealed against wall structure using Pyropanel Multiflex or approved alternative fire and acoustic sealant. Metal door frames will require packing with Pyropanel FR board, Fire rated plaster, concrete or mortar to achieve desired acoustic rating.



### HOW TO SPECIFY

*"Door to be a Pyropanel AP-41-PYROL acoustic door pair, installed into a Pyropanel timber / packed metal\* door frame"*



## UNITED DOORMAKERS

Melba Industrial Park, Factory 2,  
122-124 Beresford Road, Lilydale,  
Victoria 3140, Australia.

T: +61 3 9735 3911 F: +61 3 9735 5411

W: [www.udm.com.au](http://www.udm.com.au) E: [sales@udm.com.au](mailto:sales@udm.com.au)

Part of the  
**PYRO PANEL**  
Group