

**Sponsor**

Pyropanel Developments Pty Ltd.
Melba Industrial Park
122-124 Beresford Road
Lilydale
VIC 3140

Issue Date

24/01/03

Medium Air Leakage Test in accordance with AS 1530.7:1998 and ISO CD 5925-1:1994 on a Pyropanel DC Board 38mm thick doorset with a Raven RP24si surface mounted seal to the head and jambs and a Raven RP38si (semi-morticed) threshold seal, opening towards the heated enclosure and positive pressure

Objective

This test report confirms that the construction described below has been tested by Warrington Fire Research (Aust) Pty Ltd and achieved the stated performance when subjected to the nominated test.

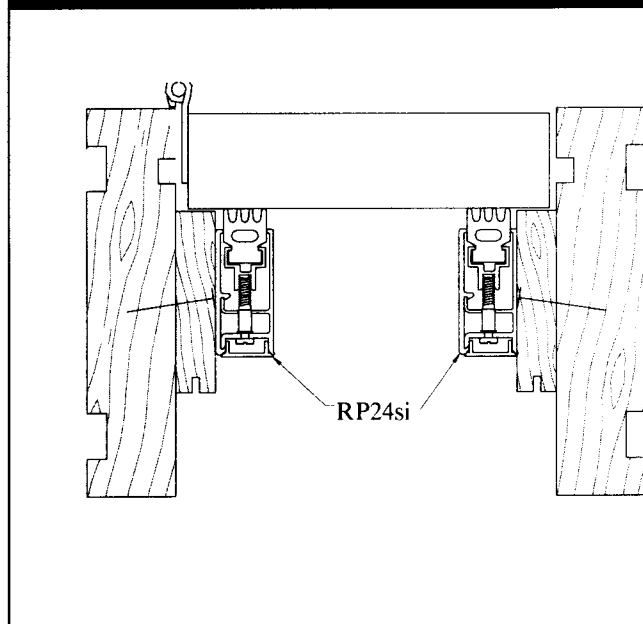
Product / Specimen

<p>Wall construction: Boral Timber stud / plasterboard wall construction.</p> <p>Door frame: Timber (MDF) door frame (made of 2 sections) of overall depth of 154mm with a 41mm x 20mm door seat rebate was built into the partition. The perimeter of the door frame was sealed with a 2-3mm bead of Pyropanel Multiflex acrylic sealant.</p> <p>Door leaf: 2040mm high x 820mm wide x 38mm thick DC Board door manufactured by Pyropanel Developments. The door leaf and partition were painted with an acrylic paint.</p>	Position	Seals	Mean Clearance mm	
			Edge / frame	Face / rebate
	Head/Jambs	Raven RP24si	2.3	1.0
Sill	Raven RP38si (semi-morticed)	7.9	N/A	
		<p>Door Closer: Lockwood Arrow 724 Latchset: Lockwood 970 Hinges: Nova 100x75mm</p>		

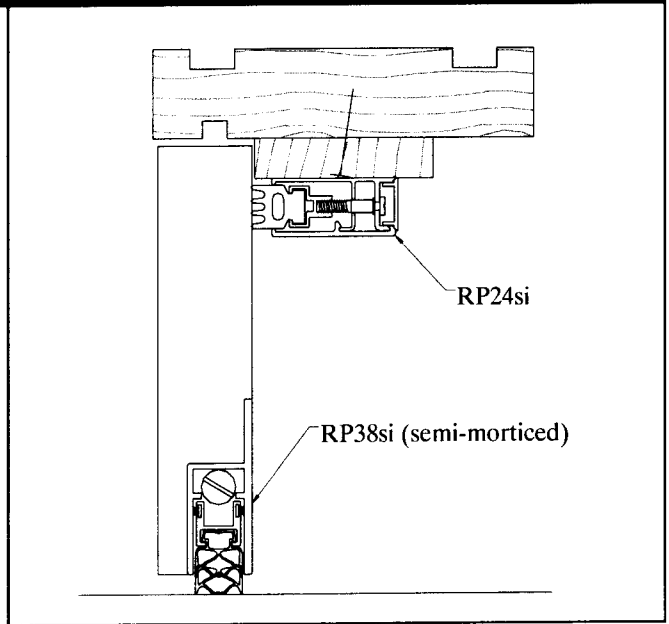
Test / Report Reference	Test Methods	Variations From Test Criteria	Supplementary Standards	Date of Test
WFRA No. 40974	AS1530.7-1998 ISO CD 5925-1:1994	As described in FSE004	FSE004	18/10/2002

TESTING AUTHORITY	Warrington Fire Research (Aust) Pty Ltd		
Address	PO Box 4282 DANDENONG SOUTH VIC 3164 Unit 2, 409-411 Hammond Road DANDENONG VIC 3175		
Phone / Fax	61 (0)3 9767 1066 / 61 (0)3 9767 1001		
ABN	81 050 241 524		
Email / Home Page	testing@wfra.com.au / www.wfra.com.au		
Authorisation	Prepared By: <i>A.F. Rayner</i> A.F. Rayner	Reviewed By: <i>J.P. England</i> J.P. England	

Jamb detail



Head / Sill Detail



Test Results

Door Configuration / Pressure	Exposure	Leakage rate correction	Leakage Rate Q(m ³ /h) @ a pressure differential of			
			5Pa	10Pa	25Pa	50Pa
Opening Towards Positive Pressure (fire side)	Medium (200°C)	STP	< 2	2	2	3
		200°C	3	3	4	4
Opening Towards Positive Pressure (fire side)	BCA Spec. C3.4 Medium (200°C) >30 minutes	STP	11	16	25	37
		200°C	18	26	43	61

Notes: The medium test with exposure times greater than 30 minutes is consistent with the BCA requirements of specification C3.4 which requires doorsets to be resistant to smoke at 200°C for 30 minutes.

Conditions/Validity

- This test report is based on the results of the test, as referenced above, performed by Warrington Fire Research (Aust) Pty Ltd. Further information is provided in the full test report.
- This test report does not provide an endorsement by Warrington Fire Research (Aust) Pty Ltd of the performance of the actual products supplied.
- The conclusions in this test report relate to the configurations as detailed in the full test report, and should not be applied to any other configuration
- The results of these tests may be used to directly assess fire hazard, but it should be recognised that a single test method will not provide a full assessment of fire hazard under all fire conditions.

TESTING AUTHORITY	Warrington Fire Research (Aust) Pty Ltd	
Address	PO Box 4282 DANDENONG SOUTH VIC 3164 Unit 2, 409-411 Hammond Road DANDENONG VIC 3175	
Phone / Fax	61 (0)3 9767 1066 / 61 (0)3 9767 1001	
ABN	81 050 241 524	
Email / Home Page	testing@wfra.com.au / www.wfra.com.au	
Authorisation	Prepared By: <i>A.F. Rayner</i> A.F. Rayner	Reviewed By: <i>J.P. England</i> J.P. England